

VIDEO BOOSTERS for Home Use

VHF VIDEO BOOSTER	
Amplification Channels	European Standard ch 2-12 · FM American Standard ch 2-13 · FM Chinese Standard ch 1-12 · FM
VTV30A	
UHF VIDEO BOOSTER	
Amplification Channels	European Standard ch 21-57 American Standard ch 14-63 Chinese Standard ch 13-44
VTU30A	
VHF · UHF VIDEO BOOSTER	
Amplification Channels	European Standard ch 2-12 · FM & ch21-57 American Standard ch 2-13 · FM & ch14-63 Chinese Standard ch 1-12 · FM & ch13-44
VTW30A	
AC Line Power Type	

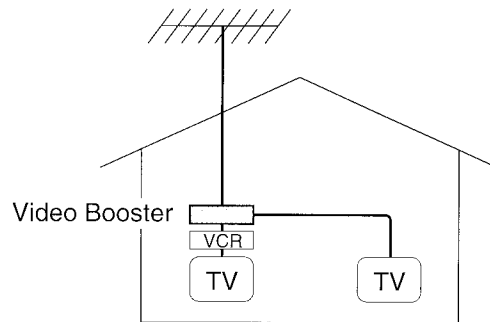
30dB TYPE

OPERATING MANUAL

VHF · FM & UHF RECEPTION AND VIDEO RECORDING



VTW30A



Each booster's 2-way distribution circuit and outputs allow 2 TV sets to be connected to the booster at the same time without using a splitter. By combining 2 or 3-way splitters separately with the booster, 3 or more TV sets can be connected.

Large Sized Gain Control Knobs for Easier Handling

Gain can be adjusted on the top of the booster case with the large knobs, so that the optimum value for the input level of the VCR or TV is easily obtained.

Simple Cable Connection

All VCR, TV and TV antenna cable connections can be made indoors simply and quickly within the small compartment on the booster case, without turning over the unit itself.

Super Long Life

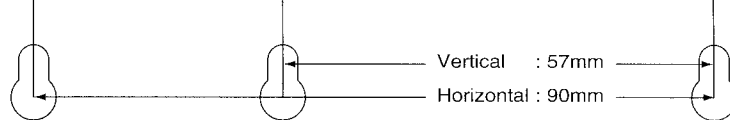
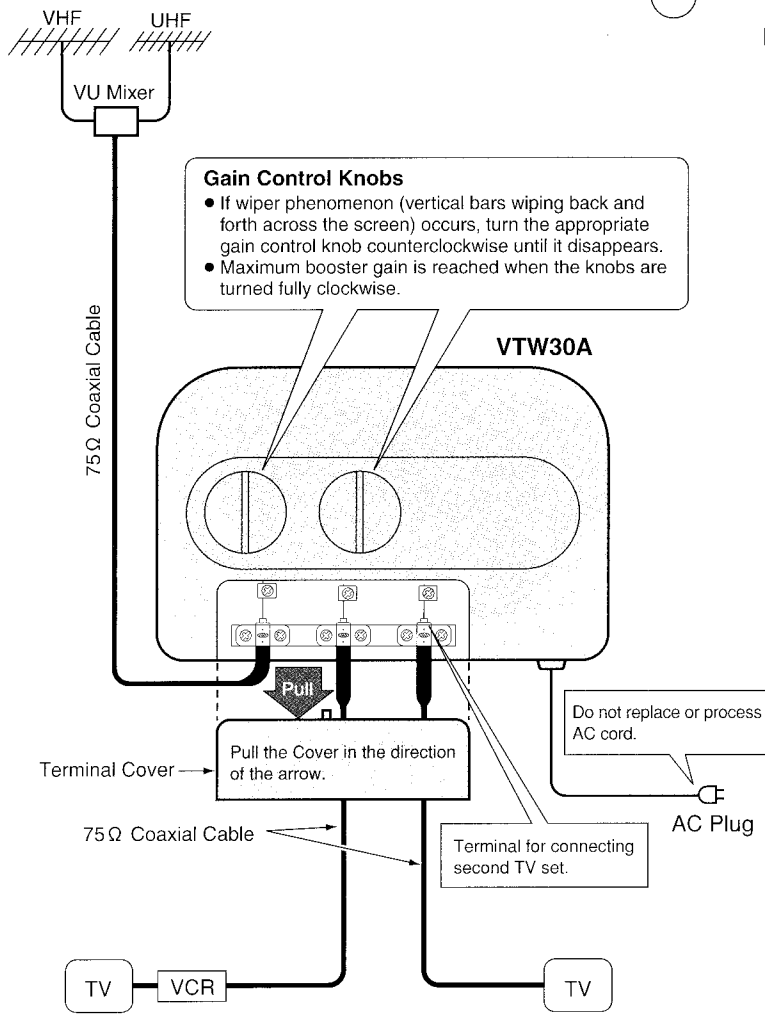
Since these boosters are not exposed to weather like those for outdoor use, extremely good durability can be expected, with no deterioration due to age.

Convenient to Use, Capable of Various Application

- Compact and light weight design allow the booster to be moved freely and easily with the VCR to any location.
- Picture quality commonly deteriorates when making video recordings, even in strong signal reception areas, but this problem disappears completely when using these boosters.

- Read this Operating Manual carefully before using the unit.
- After reading this manual, keep it where it is readily accessible at any time.

How to Connect

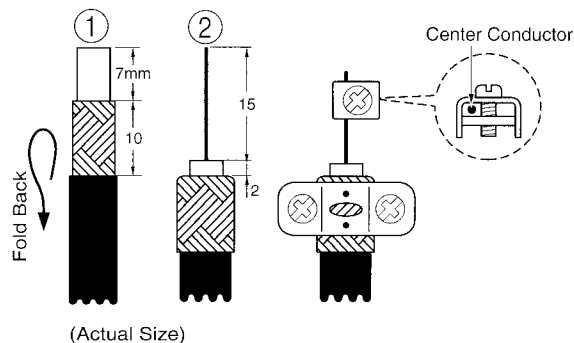


Booster Unit Installation Gauge (Actual Size)

Preparation Before Connecting Cable

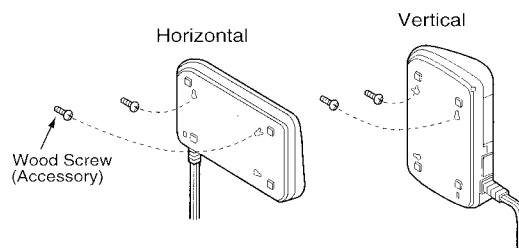
75 Ω Coaxial Cable

5C-FV



How to install on a wooden wall

The booster unit is usually placed on the TV set but can also be installed on a wooden wall.



Specifications

E : European Standard
A : American Standard
C : Chinese Standard

MASPRO

Items	VTV30A (UHF Pass)		VTU30A (VHF Pass)		VTW30A	
	VHF	UHF	VHF	UHF	VHF	UHF
Reception Channels	E ch2 - 12·FM A ch2 - 13·FM C ch1 - 12·FM	E ch21 - 57 A ch14 - 63 C ch13 - 44	E ch2 - 12·FM A ch2 - 13·FM C ch1 - 12·FM	E ch21 - 57 A ch14 - 63 C ch13 - 44	E ch2 - 12·FM A ch2 - 13·FM C ch1 - 12·FM	E ch21 - 57 A ch14 - 63 C ch13 - 44
Gain	24 - 30dB	—	—	24 - 30dB	24 - 30dB	24 - 30dB
Gain Control Range	⊖10dB	—	—	⊖10dB	⊖10dB	⊖10dB
Insertion Loss	—	4 - 7dB	3 - 5dB	—	—	—
Operating Input Level	36 - 68dB μ (78dB μ at the minimum gain)	—	—	36 - 68dB μ (78dB μ at the minimum gain)	36 - 68dB μ (78dB μ at the minimum gain)	36 - 68dB μ (78dB μ at the minimum gain)
Maximum Output Level	98dB μ	—	—	98dB μ	98dB μ	98dB μ
Cross Modulation	Less than ⊖40dB	—	—	Less than ⊖40dB	Less than ⊖40dB	Less than ⊖40dB
Noise Figure	1.8 - 4dB	—	—	1.8 - 4dB	1.8 - 4dB	1.8 - 4dB
VSWR	1.1 - 3					
Input/Output Impedance	75 Ω					
Temperature Range	⊖20 - ⊕50°C					
Power Requirements	Specified AC voltage					
Dimensions	43 (H) x 175 (W) x 111 (D) mm					
Weight	Approx. 420 g (VTV30A · VTU30A), 430 g (VTW30A)					

You can always rely on MASPRO's performance data.

Accessory

Wood Screw (for wall mounting)2 pcs.

Specification and design are subject to change due to upgrades in product quality.

Kindness, Technical Expertise

= MASPRO DENKOH CORP. =

ASADA, NISSIN, AICHI 470-0194, JAPAN

APR.,2000